

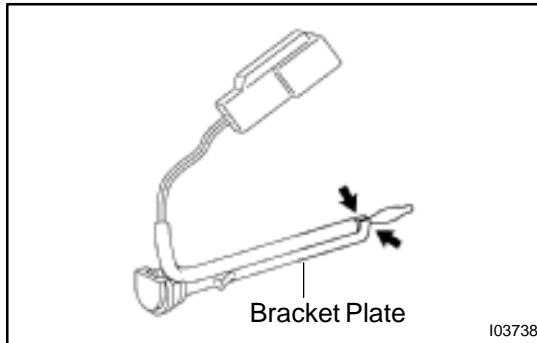
DISASSEMBLY

1. REMOVE THERMISTOR

- (a) Disconnect the connector clamp.
- (b) Using a screwdriver, pull out the thermistor.

HINT:

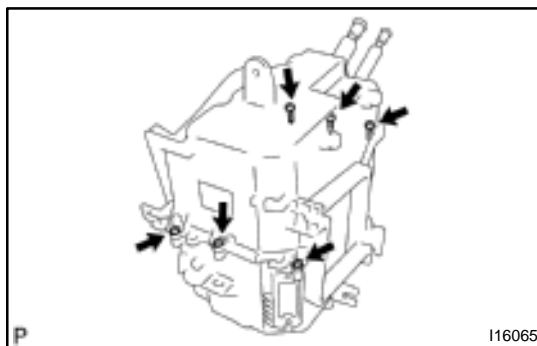
Tape the screwdriver tip before use.



- (c) Release the 2 claw and remove the thermistor from the bracket plate.

2. REMOVE BLOWER RESISTOR

Remove the 2 screws and blower resistor.

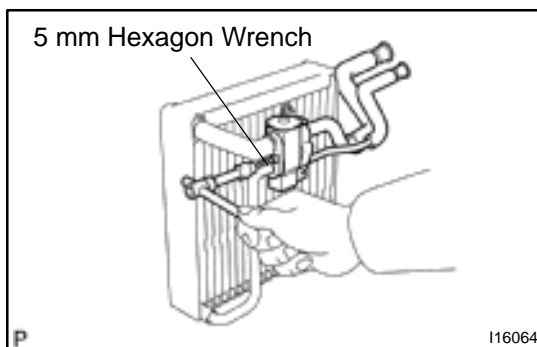


3. SEPARATE UPPER AND LOWER UNIT CASE

- (a) Using a knife, cut off each packing.
- (b) Remove the 6 screws holding the upper to the lower unit case.
- (c) Separate the upper and lower unit case.

4. REMOVE EVAPORATOR

Remove the evaporator from the lower unit case.



5. REMOVE EXPANSION VALVE

Using a 5 mm hexagon wrench, remove the 2 bolts, and separate the expansion valve and evaporator.